

# 3.00mm(.118") Wire To Wire And Wire To Board Connector

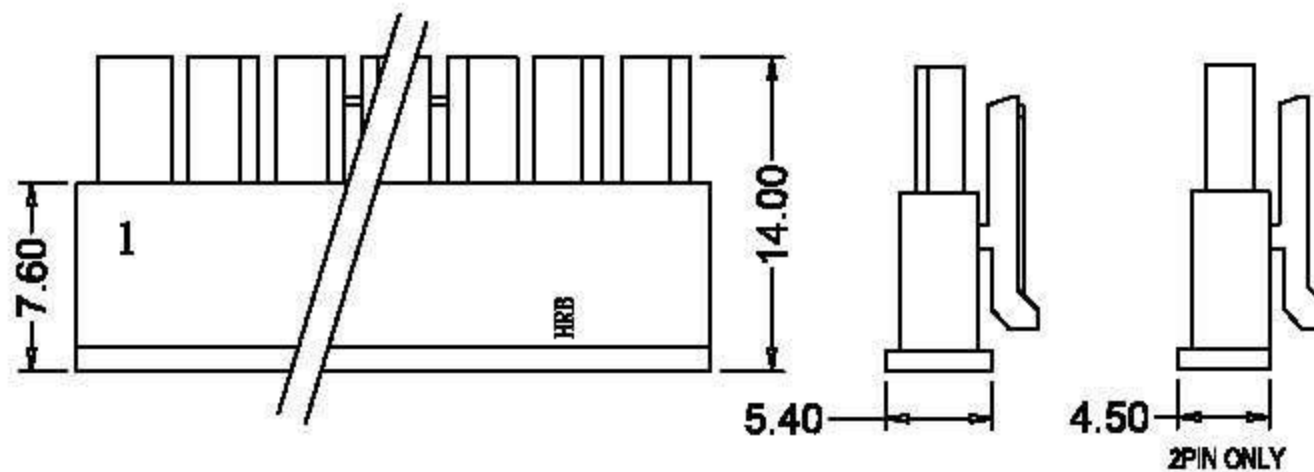
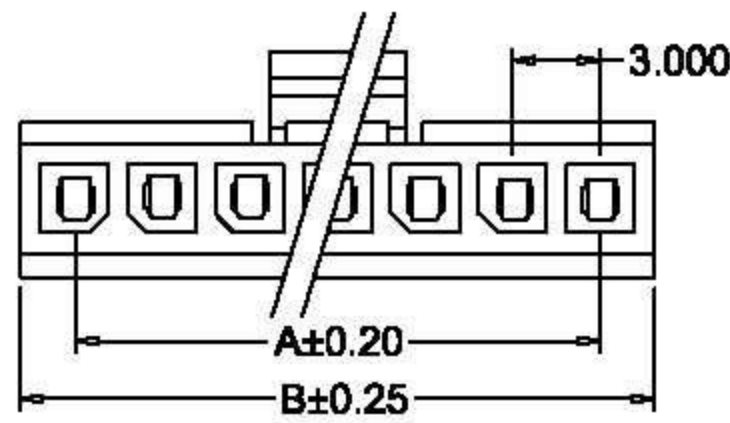
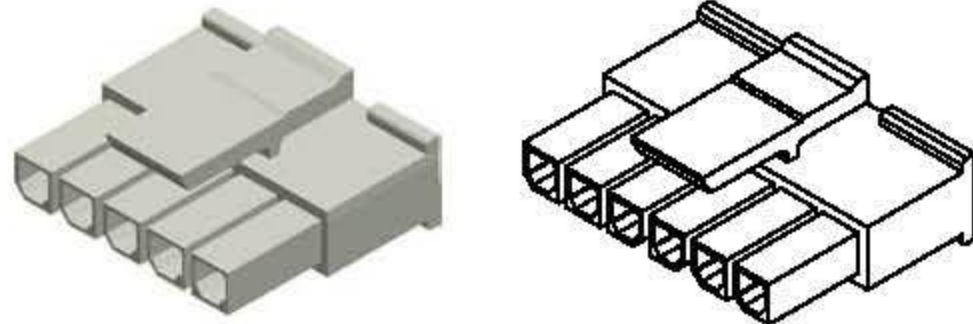


## SPECIFICATIONS:

- Current Rating:5AAC,DC
- Voltage Rating:250V AC,DC
- Operating Temperature:V2:-25°C~+85°C  
V0:-40°C~+130°C
- Contact Resistance:10mΩ max.
- Insulation Resistance:1000MΩ Min.
- Withstanding Voltage:1500V AC/minute
- Material:Nylon66 UL94V-2/UL94V-0
- UL File No:E304945
- Terminal In Housing Retention Force Requirement:2.5kg (Min.)

Shenzhen Hongru Connector Co., Ltd

Email:yukyli@hrb-connector.com  
Tel: 86-0755 2709 6669  
Fax: 86-0755 2709 2392  
Skype: haiyuncheng-vivian  
Mobile(whatsapp): 86-186 8112 3590  
Website: <http://www.hrb-connector.com>



## Ordering Information And Dimensions

| Part NO.      |               | Circuits | Dimensions |       | Part NO.       |                | Circuits | Dimensions |       |
|---------------|---------------|----------|------------|-------|----------------|----------------|----------|------------|-------|
| TYP UL94V-2   | TYP UL94V-0   |          | Dim:A      | Dim:B | TYP UL94V-2    | TYP UL94V-0    |          | Dim:A      | Dim:B |
| P3025-1x2-B-H | P3025-1x2-W-H | 2        | 3.00       | 6.85  | P3025-1x8-B-H  | P3025-1x8-W-H  | 8        | 21.00      | 24.85 |
| P3025-1x3-B-H | P3025-1x3-W-H | 3        | 6.00       | 9.85  | P3025-1x9-B-H  | P3025-1x9-W-H  | 9        | 24.00      | 27.85 |
| P3025-1x4-B-H | P3025-1x4-W-H | 4        | 9.00       | 12.85 | P3025-1x10-B-H | P3025-1x10-W-H | 10       | 27.00      | 30.85 |
| P3025-1x5-B-H | P3025-1x5-W-H | 5        | 12.00      | 15.85 | P3025-1x11-B-H | P3025-1x11-W-H | 11       | 30.00      | 33.85 |
| P3025-1x6-B-H | P3025-1x6-W-H | 6        | 15.00      | 18.85 | P3025-1x12-B-H | P3025-1x12-W-H | 12       | 33.00      | 36.85 |
| P3025-1x7-B-H | P3025-1x7-W-H | 7        | 18.00      | 21.85 |                |                |          |            |       |

