

4.2mm(.165")Wire To Wire And Wire To Board Connector



Connector & Terminal

Shenzhen Hongru Connector Co., Ltd

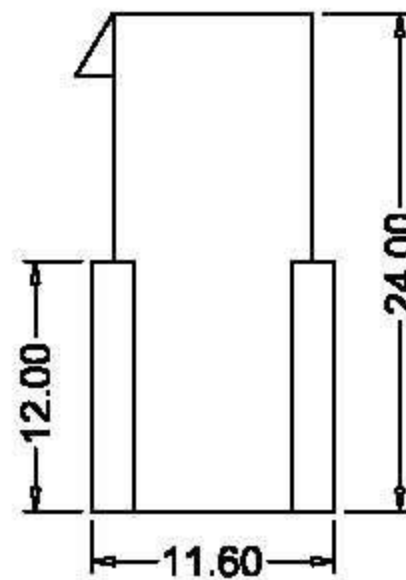
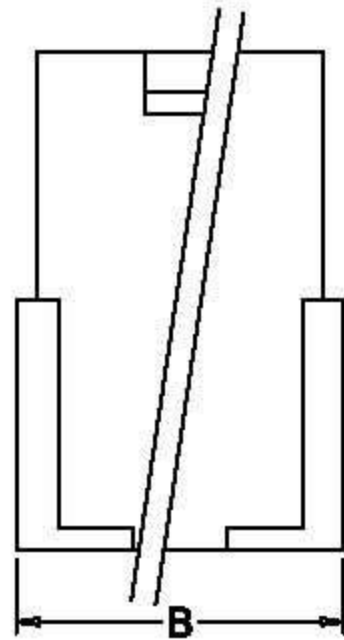
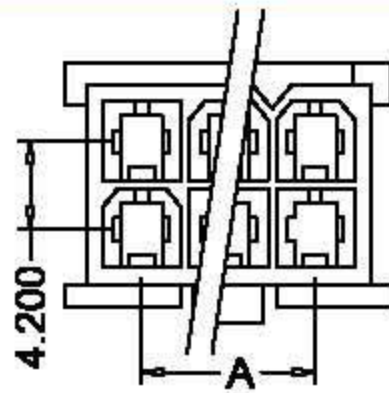
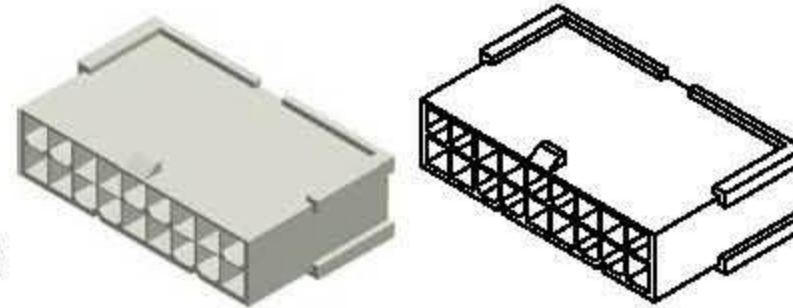
Email: yukyli@hrb-connector.com
 Tel: 86-0755 2709 6669
 Fax: 86-0755 2709 2392
 Skype: haiyuncheng-vivian
 Mobile(whatsapp): 86-186 8112 3590
 Website: <http://www.hrb-connector.com>

SPECIFICATIONS:

- Current Rating: 9A AC, DC
- Voltage Rating: 600V AC, DC
- Operating temperature: V2: -25°C ~ +85°C

V0: -40°C ~ +105°C

- Contact Resistance: 10mΩ max.
- Insulation Resistance: 1000MΩ Min.
- Withstanding Voltage: 1500V AC/minute
- Material: Nylon UL94V-2/UL94V-0
- Use With: T4201BS-2
- Terminal In Housing Retention Force Requirement: 6.5kg (Min.)



Ordering Information And Dimensions

Part NO.		Circuits	Dimensions		Part NO.		Circuits	Dimensions	
TYP UL94V-2	TYP UL94V-0		Dim:A	Dim:B	TYP UL94V-2	TYP UL94V-0		Dim:A	Dim:B
P4201-2x1-B	P4201-2x1-A	2	—	7.40	P4201-2x7-B	P4201-2x7-A	14	25.20	32.60
P4201-2x2-B	P4201-2x2-A	4	4.20	11.60	P4201-2x8-B	P4201-2x8-A	16	29.40	36.80
P4201-2x3-B	P4201-2x3-A	6	8.40	15.80	P4201-2x9-B	P4201-2x9-A	18	33.60	41.00
P4201-2x4-B	P4201-2x4-A	8	12.60	20.00	P4201-2x10-B	P4201-2x10-A	20	37.80	45.20
P4201-2x5-B	P4201-2x5-A	10	16.80	24.20	P4201-2x11-B	P4201-2x11-A	22	42.00	49.40
P4201-2x6-B	P4201-2x6-A	12	21.00	28.40	P4201-2x12-B	P4201-2x12-A	24	46.20	53.60