

3.00mm(.118") Wire To Wire And Wire To Board Connector

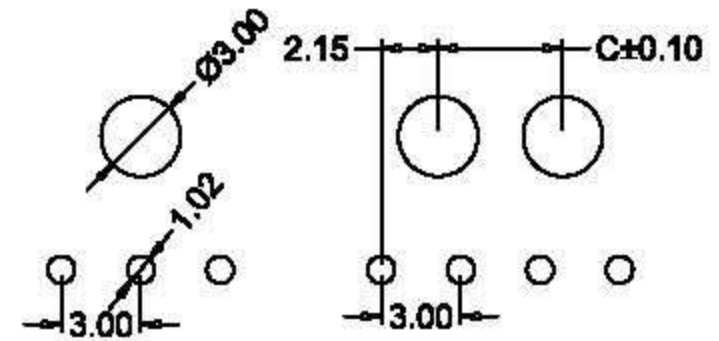
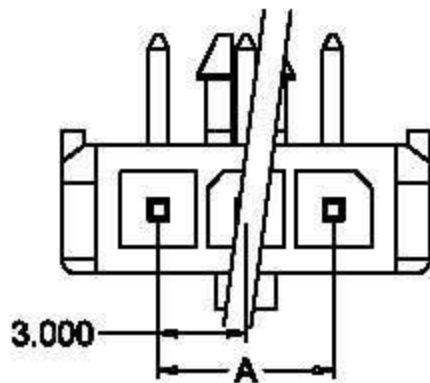
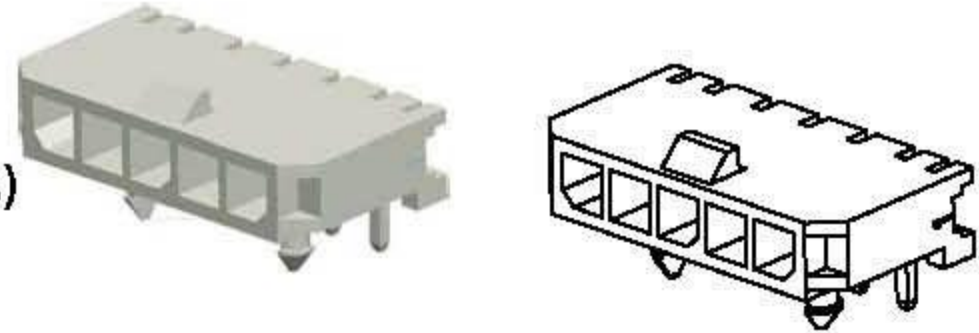


Shenzhen Hongru Connector Co., Ltd

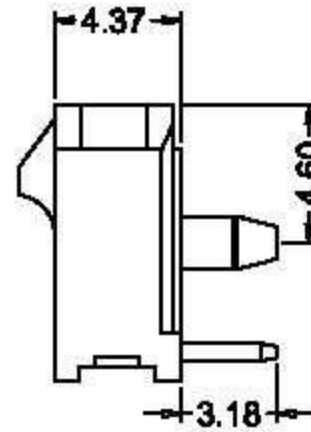
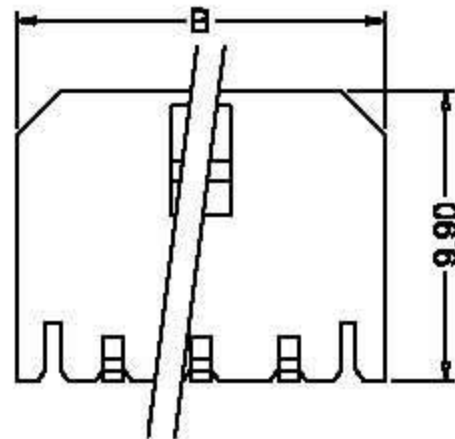
Email: yukyli@hrb-connector.com
 Tel: 86-0755 2709 6669
 Fax: 86-0755 2709 2392
 Skype: haiyuncheng-vivian
 Mobile(whatsapp): 86-186 8112 3590
 Website: http://www.hrb-connector.com

SPECIFICATIONS:

- Current Rating:5A AC,DC
- Voltage Rating:250V AC,DC
- Operating Temperature:-40℃~+130℃
- Contact Resistance:10mΩ max.
- Insulation Resistance:1000MΩ Min.
- Withstanding Voltage:1500V AC/minute
- Material:Housing:Nylon46 UL94V-0
Pin:Brass,Tin Plated
- Mate With:P3025Series
- Housing And Pin Retention Force Requirement: 2.0 kg (Min.)



PCB LAYOUT



Ordering Information And Dimensions

Part NO.		Dimensions			Part NO.		Dimensions		
TYP UL94V-0	Circuits	Dim:A	Dim:B	Dim:C	TYP UL94V-0	Circuits	Dim:A	Dim:B	Dim:C
M3045R-1x2-B-D	2	3.00	9.00	/	M3045R-1x8-B-D	8	21.00	27.00	16.70
M3045R-1x3-B-D	3	6.00	12.00	/	M3045R-1x9-B-D	9	24.00	30.00	19.70
M3045R-1x4-B-D	4	9.00	15.00	4.70	M3045R-1x10-B-D	10	27.00	33.00	22.70
M3045R-1x5-B-D	5	12.00	18.00	7.70	M3045R-1x11-B-D	11	30.00	36.00	25.70
M3045R-1x6-B-D	6	15.00	21.00	10.70	M3045R-1x12-B-D	12	33.00	39.00	28.70
M3045R-1x7-B-D	7	18.00	24.00	13.70					

